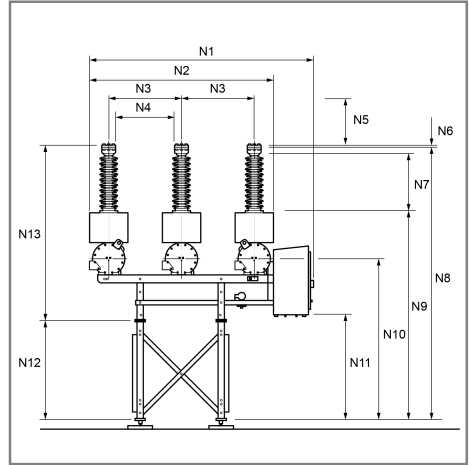


# Dead-tank Switchgear Selection



## Context:

An industrial client requested consultancy regarding GIS 66 kV switchgear selection. Threepwood reviewed the client's requirements in terms of lifetime, risk and security of supply and recommended the client procure 66 kV dead-tank circuit-breakers. Threepwood assessed the various switchgear types and configurations and provided a recommendation.



The project saved the client upto £1M and provided an appropriate specification.

“Provided a cost-benefit analysis criteria when selecting switchgear at 66 kV and above”

## Conclusions:

Savings were made in terms of:

- Civil costs.
- Earthing.
- SCADA implications.
- Installation.

